

Model:GT-92-13

Size

Diameter: 85.5mm

Height: 32mm

Edge thickness: 4.8mm

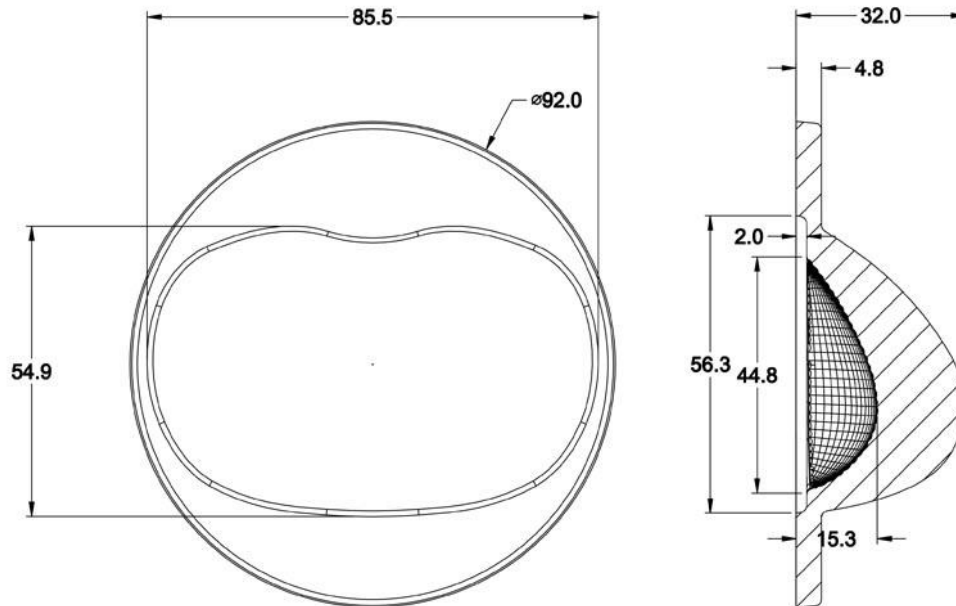
Angle: $130^{\circ} \times 52^{\circ}$

Material: Borosilicate glass



Brief Introduction:

This product is used for the street lighting and other purpose with the 20W~150W integrated chip



Product Detail



More Features

STREETLIGHT PHOTOMETRIC TEST REPORT

Test:U:49.75V I:0.9278A P:46.16W PF:1.000 Lamp Flux:6210.6x1 lm		
NAME: 92-13 2015.7.3	TYPE:	WEIGHT:
SPEC.:	DIM.:	SERIAL No.:
MFR.:	SUR.:	PROTECTION ANGLE:

DATA OF LAMP		PHOTOMETRIC DATA Eff: 132.66 lm/W			
MODEL	CLU056-1825	I _{max} (cd)	3141	η street_up (%)	0.8
NOMINAL POWER (W)	42	LOR (%)	98.6	η street_down (%)	48.9
RATED VOLTAGE (V)	50	TOTAL FLUX (lm)	6123	η house_up (%)	0.8
NOMINAL FLUX (lm)	6210.6	MAXIMUM @ (C, γ)	180,44.0	η house_down (%)	48.1
LAMPS INSIDE	1	η up (%)	1.6	76 FLASHAREA (m2)	
TEST VOLTAGE (V)	49.7	η down (%)	97.0	SLI	

